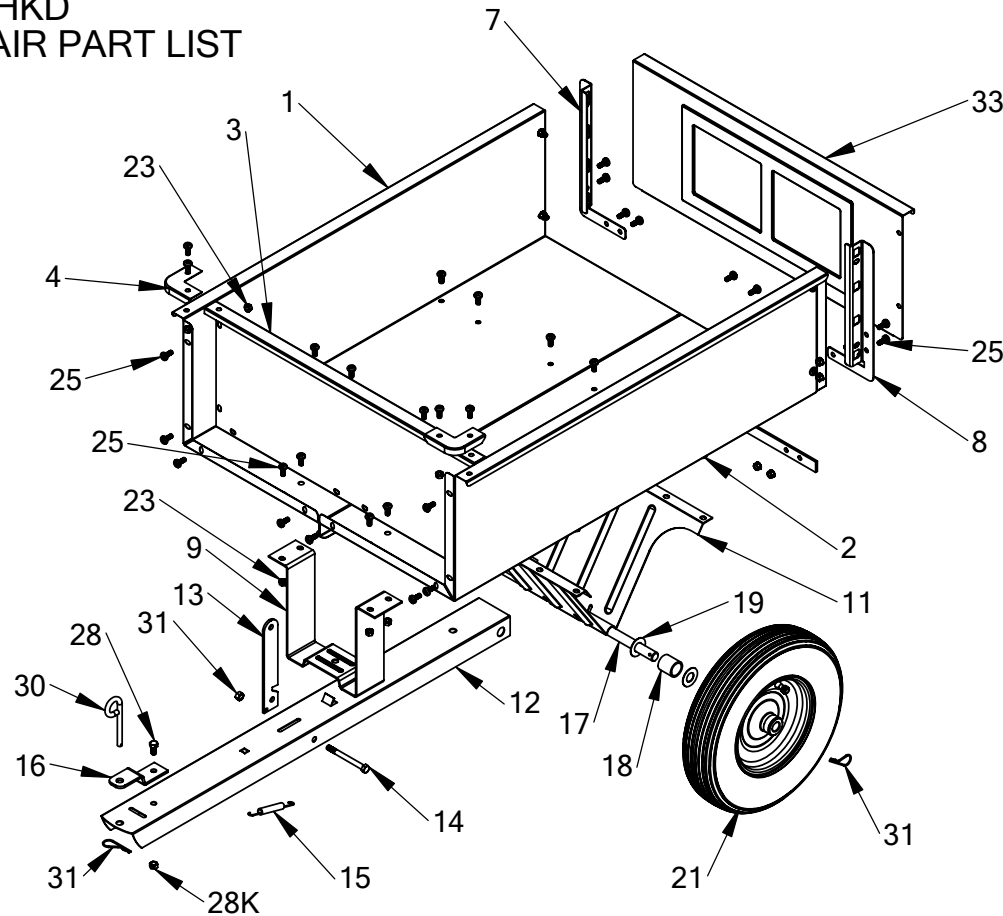


3042HKD
REPAIR PART LIST

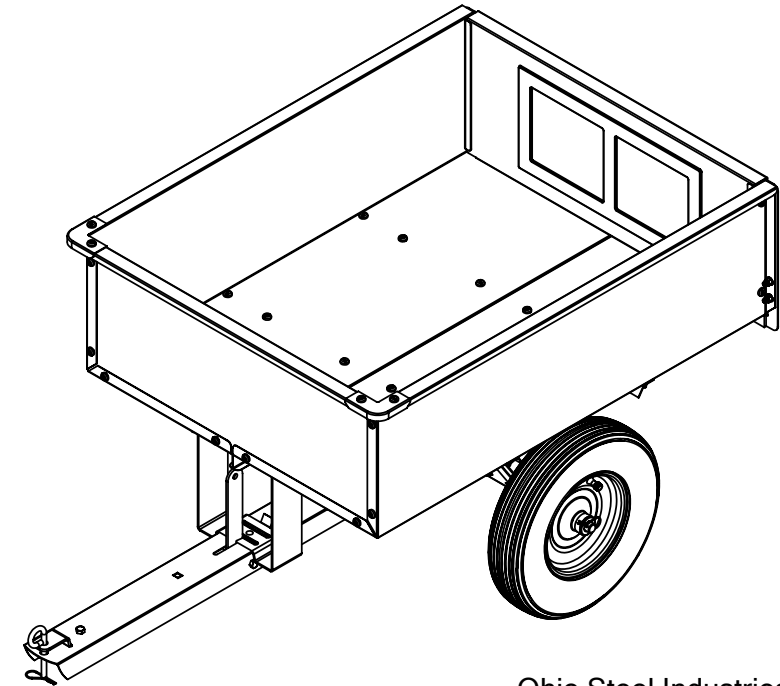


| REF. NO | PART NO | QTY. | DESCRIPTION | REF. NO | PART NO | QTY. | DESCRIPTION |
|---------|---------|------|-----------------------|---------|---------|------|--------------------------|
| 1 | 3042-1 | 1 | Body half - Right | 16 | 5-16A | 1 | Hitch bracket |
| 2 | 3042-2 | 1 | Body half - Left | 17 | 5-17 | 1 | Axle |
| 3 | 5-3 | 1 | Front gate | 18 | 5-18 | 2 | HDPE spacer |
| 4 | 5-4 | 2 | Corner | 19 | 5-19 | 4 | Axle washer |
| 5 | 5-5 | 1 | Rear support bar | 21 | 5-21 | 2 | Wheel |
| 7 | 5-7A | 1 | Gate retainer - Right | 23 | 5-23N | 46 | 5/16"-18 keps nut |
| 8 | 5-8A | 1 | Gate retainer - Left | 25 | 5-25 | 46 | 5/16"-18 x 3/4" pan head |
| 9 | 5-9A | 1 | Front Support | 28 | 5-28 | 1 | 3/8"-16 x 3/4" hex head |
| 11 | 5-11 | 1 | Axle Holder | 28K | 5-28K | 2 | 3/8"-16 keps nut |
| 12 | 5-12A | 1 | Drawbar | 30 | 5-30 | 1 | Hitch pin |
| 13 | 5-13A | 1 | Latch post bar | 31 | 5-31 | 3 | Hair pin cotter |
| 14 | 5-14A | 1 | Latch bolt | 33 | 5-33 | 1 | Tail gate |
| 15 | 5-15A | 1 | Latch spring | 34 | 5-34 | 1 | Assembly manual |

REV-A

OHIO STEEL
INDUSTRIES

3042HKD
10 CUBIC FOOT
HEAPED DUMP CART
ASSEMBLY MANUAL



CAUTION:
READ AND FOLLOW
ALL SAFETY RULES
AND INSTRUCTIONS
BEFORE USING
THIS EQUIPMENT

Ohio Steel Industries
Columbus, OH 43224 U.S.A.
Visit our website: www.ohiosteel.com

For missing parts or questions
Call 1-800-652-2321

LIMITED ONE-YEAR WARRANTY

If this product fails due to a defect in material or workmanship within one year from the date of purchase, Ohio Steel will at its option repair or replace it free of charge. This warranty excludes Tires and Wheels which are expendable and become worn during normal use.

Proof of purchase required.

This warranty does not cover:

- Repairs necessary because of operator abuse or negligence.
- Equipment use for commercial or rental purposes.

Contact Ohio Steel to arrange for product repair, or return this product to place of purchase for replacement.

This warranty gives you specific legal rights, and you may also have other rights which vary from state to state. This Warranty applies only while this product is in use in the United States.

TOOLS REQUIRED

Large blade screwdriver.
1/2" wrench and/or socket.
Pliers.

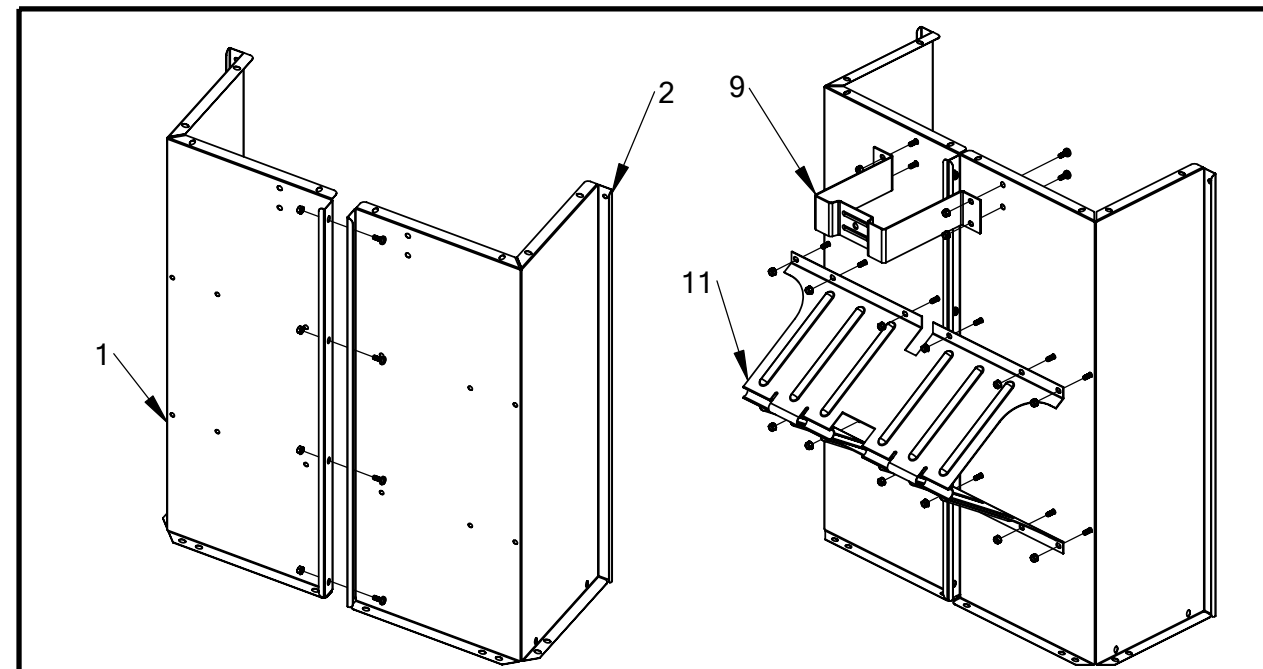
SAFETY INSTRUCTION

- Do not carry passengers in cart.
- Do not tow cart on public roads.
- Never exceed **LOAD CAPACITY** of 500lbs.
- Avoid sudden turns or maneuvers.
- When operating on slopes, use lowest ground speed and limit load to 200lbs.
- Operate up and down slopes, never across the face.

MAINTENANCE

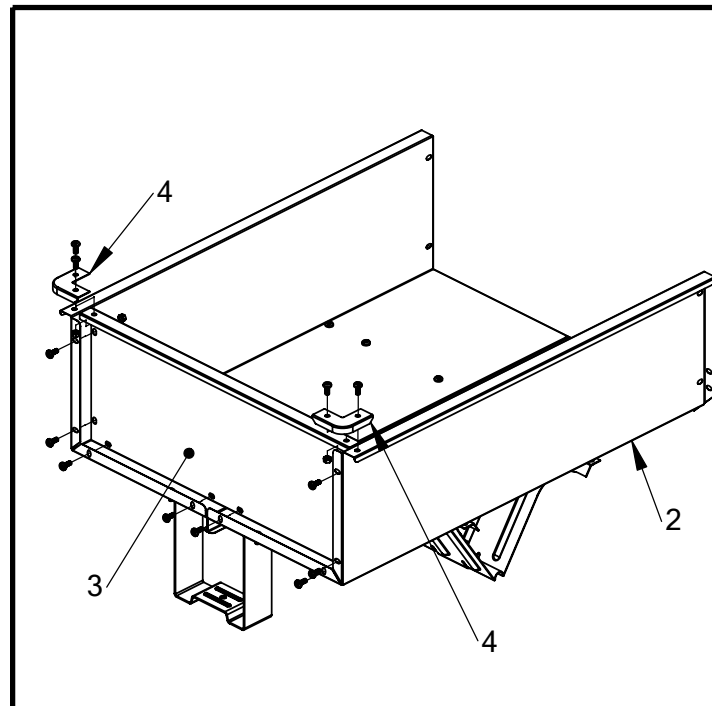
- Check tire pressure regularly, 30psi.
- Periodically check all bolts.
- Keep cart clean to prevent rust.
- Store inside a clean dry area.

| CARTON CONTENTS | | |
|-----------------|------|----------------------------|
| REF. NO. | QTY. | DESCRIPTION |
| 1 | 1 | Body half - Right |
| 2 | 1 | Body half - Left |
| 3 | 1 | Front gate |
| 4 | 2 | Corner |
| 5 | 1 | Rear support bar |
| 7 | 1 | Tail gate retainer - Right |
| 8 | 1 | Tail gate retainer - Left |
| 9 | 1 | Front support |
| 11 | 1 | Axle holder |
| 12 | 1 | Drawbar assembly |
| 17 | 1 | Axle |
| 21 | 2 | Wheel |
| 33 | 1 | Tail gate |
| 34 | 1 | Assembly manual |
| BB | 1 | Hardware bag |

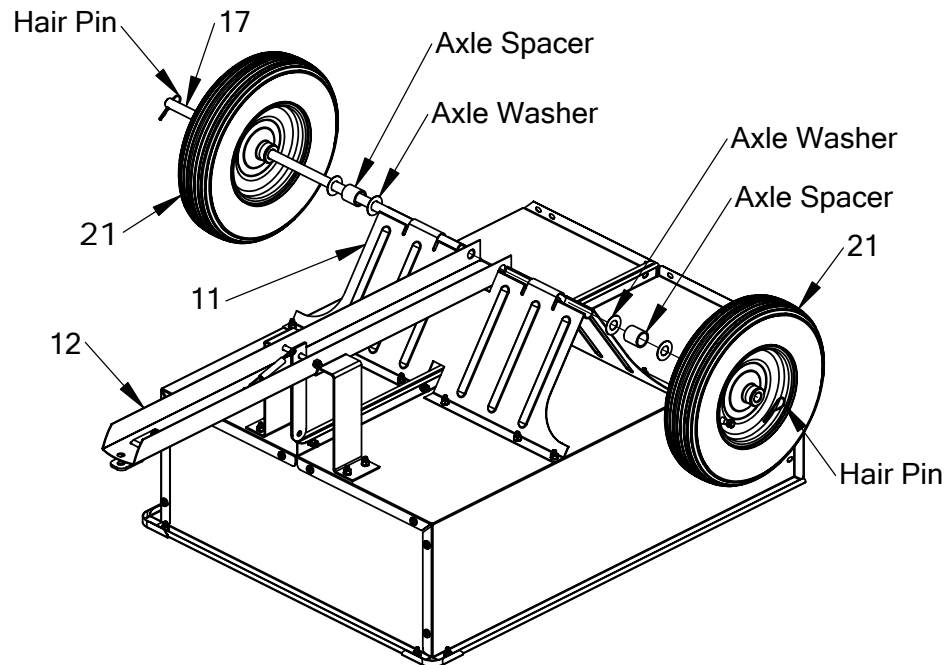


Step 1. Loosely assemble body halves as shown.

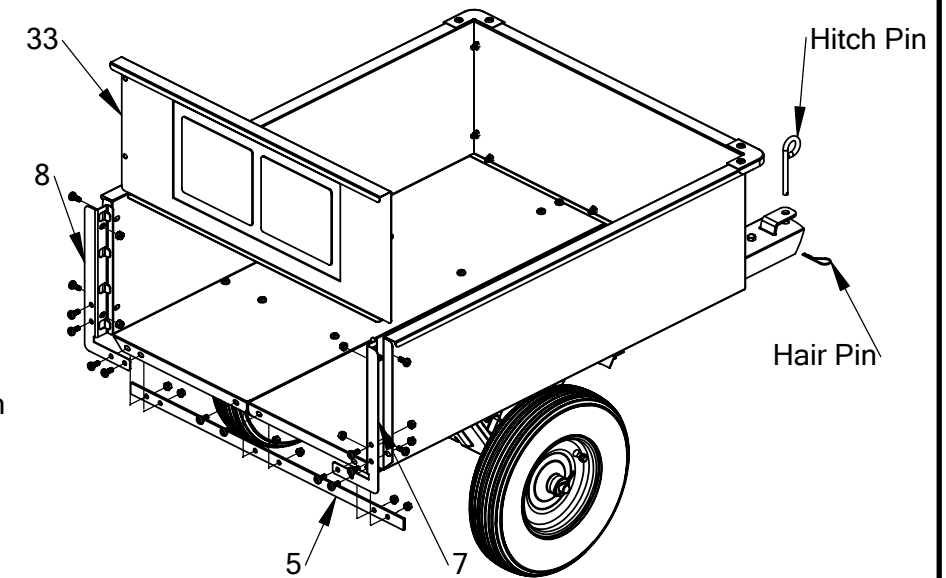
Step 2. Loosely attach front support and axle holder.



Step 3. Loosely attach front gate and corners. Square assembly and tighten all bolts.



Step 4. Center axle through axle holder & drawbar. Place washer, spacer, washer, wheel onto axle. Lock in place with hair pin cotter.



Step 5. Attach rear support bar and gate retainers. Insert tail gate and tighten bolts. Insert hitch pin and secure with hairpin cotter.