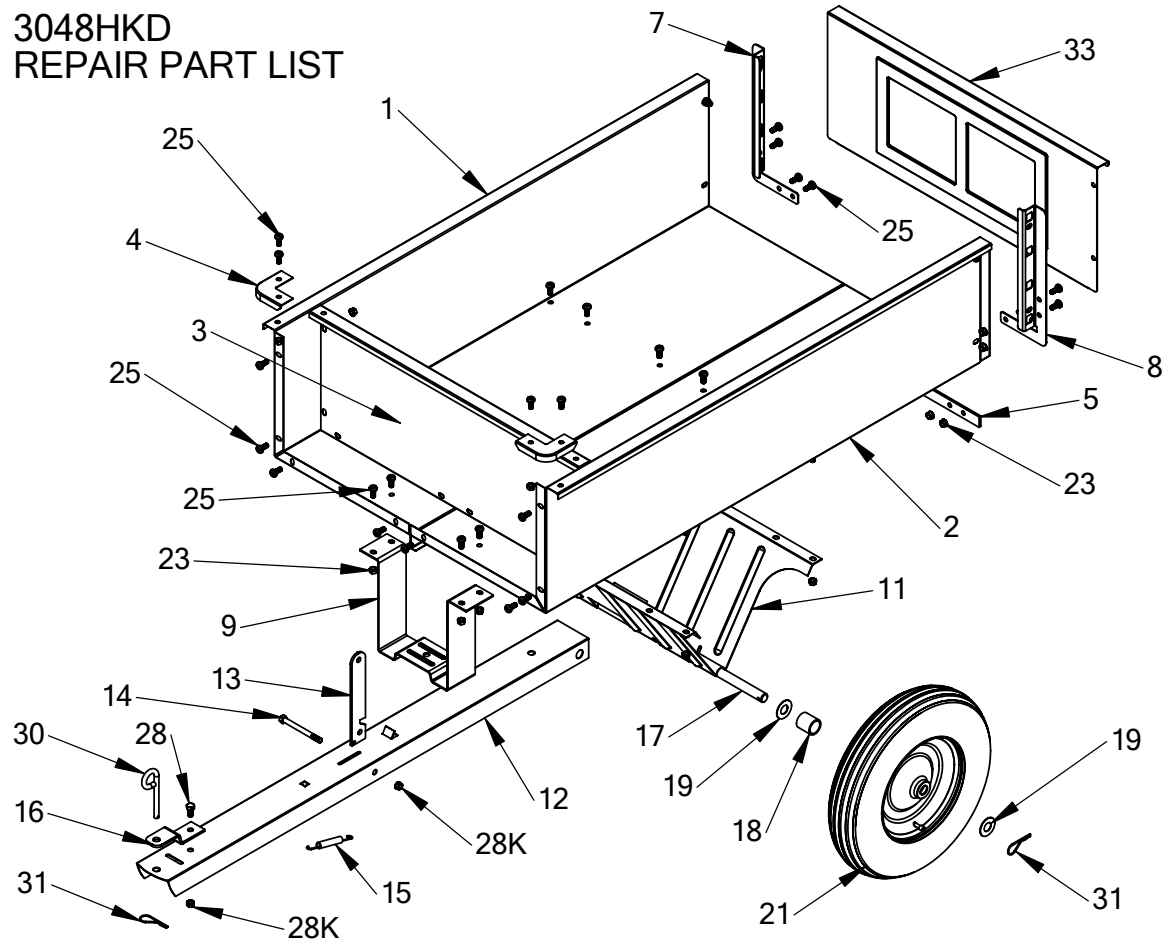
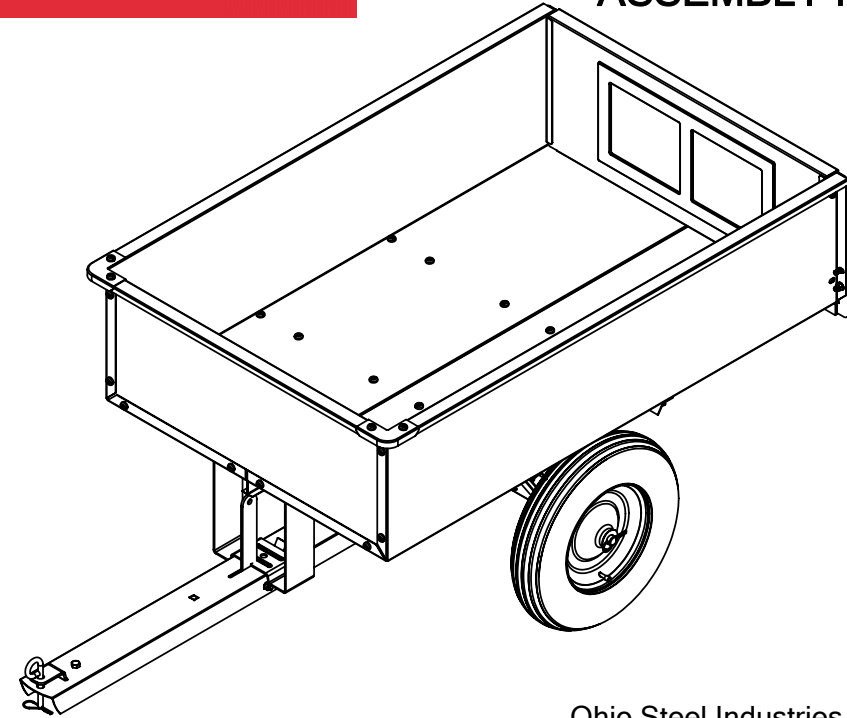


3048HKD  
REPAIR PART LIST



**OHIO**STEEL  
INDUSTRIES

3048HKD  
12 CUBIC FOOT  
HEAPED DUMP CART  
ASSEMBLY MANUAL



CAUTION:  
READ AND FOLLOW  
ALL SAFETY RULES  
AND INSTRUCTIONS  
BEFORE USING  
THIS EQUIPMENT

Ohio Steel Industries  
Columbus, OH 43224 U.S.A.  
Visit our website: [www.ohiosteel.com](http://www.ohiosteel.com)

For missing parts or questions  
Call 1-800-652-2321

REF. NO.	PART NO.	QTY.	DESCRIPTION	REF. NO.	PART NO.	QTY.	DESCRIPTION
1	5-1	1	Body half - Right	16	5-16A	1	Hitch bracket
2	5-2	1	Body half - Left	17	5-17	1	Axle
3	5-3	1	Front gate	18	5-18	2	HDPE spacer
4	5-4	2	Corner	19	5-19	4	Axle washer
5	5-5	1	Rear support bar	21	5-21	2	Wheel
7	5-7A	1	Gate retainer - Right	23	5-23N	46	5/16"-18 keps nut
8	5-8A	1	Gate retainer - Left	25	5-25	46	5/16"-18 x 3/4" pan head
9	5-9A	1	Front Support	28	5-28	1	3/8"-16 x 3/4" hex head
11	5-11	1	Axle Holder	28K	5-28K	2	3/8"-16 keps nut
12	5-12A	1	Drawbar	30	5-30	1	Hitch pin
13	5-13A	1	Latch post bar	31	5-31	3	Hair pin cotter
14	5-14A	1	Latch bolt	33	5-33	1	Tail gate
15	5-15A	1	Latch spring	34	5-34	1	Assembly manual

REV-G

**FULL TWO-YEAR WARRANTY**

If this product fails due to a defect in material or workmanship within two years from the date of purchase, Ohio Steel will at its option repair or replace it free of charge. This warranty excludes Tires and Wheels which are expendable and become worn during normal use.

*Proof of purchase required.*

This warranty does not cover:

- Repairs necessary because of operator abuse or negligence.
- Equipment use for commercial or rental purposes.

Contact Ohio Steel to arrange for product repair, or return this product to place of purchase for replacement.

This warranty gives you specific legal rights, and you may also have other rights which vary from state to state. This Warranty applies only while this product is in use in the United States.

## TOOLS REQUIRED

Large blade screwdriver.  
1/2" wrench and/or socket.  
Pliers.

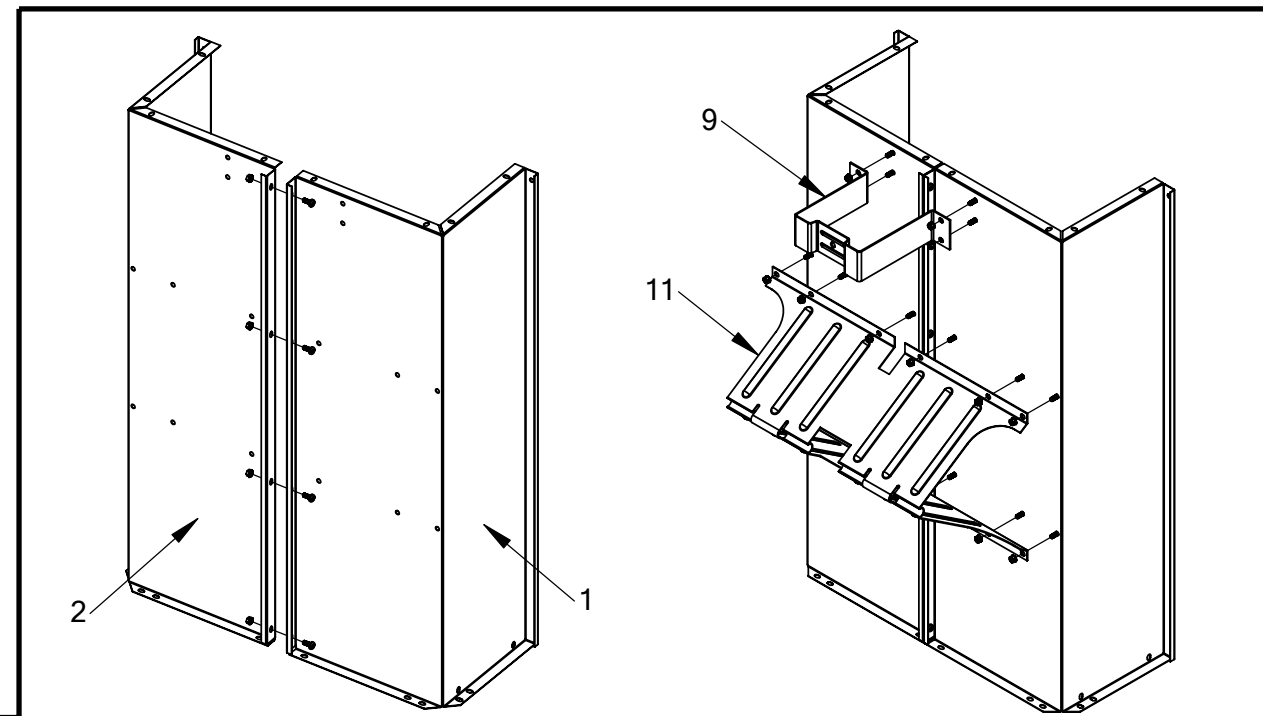
## SAFETY INSTRUCTION

- Do not carry passengers in cart.
- Do not tow cart on public roads.
- Never exceed **LOAD CAPACITY of 1000lbs.**
- Avoid sudden turns or maneuvers.
- When operating on slopes, use lowest ground speed and limit load to 200lbs.
- Operate up and down slopes, never across the face.

## MAINTENANCE

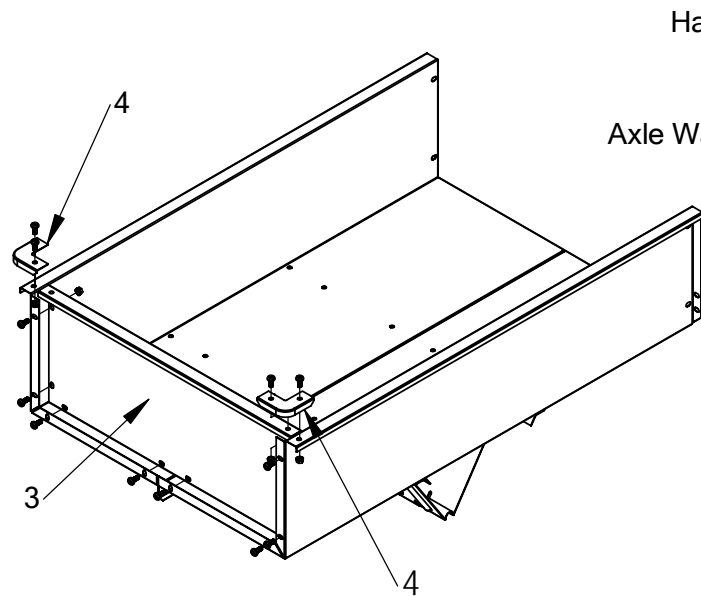
- Check tire pressure regularly, 30psi.
- Periodically check all bolts.
- Keep cart clean to prevent rust.
- Store inside a clean dry area.

CARTON CONTENTS		
REF. NO.	QTY.	DESCRIPTION
1	1	Body half - Right
2	1	Body half - Left
3	1	Front gate
4	2	Corner
5	1	Rear support bar
7	1	Tail gate retainer - Right
8	1	Tail gate retainer - Left
9	1	Front support
11	1	Axle holder
12	1	Drawbar assembly
17	1	Axle
21	2	Wheel
33	1	Tail gate
34	1	Assembly manual
BB	1	Hardware bag

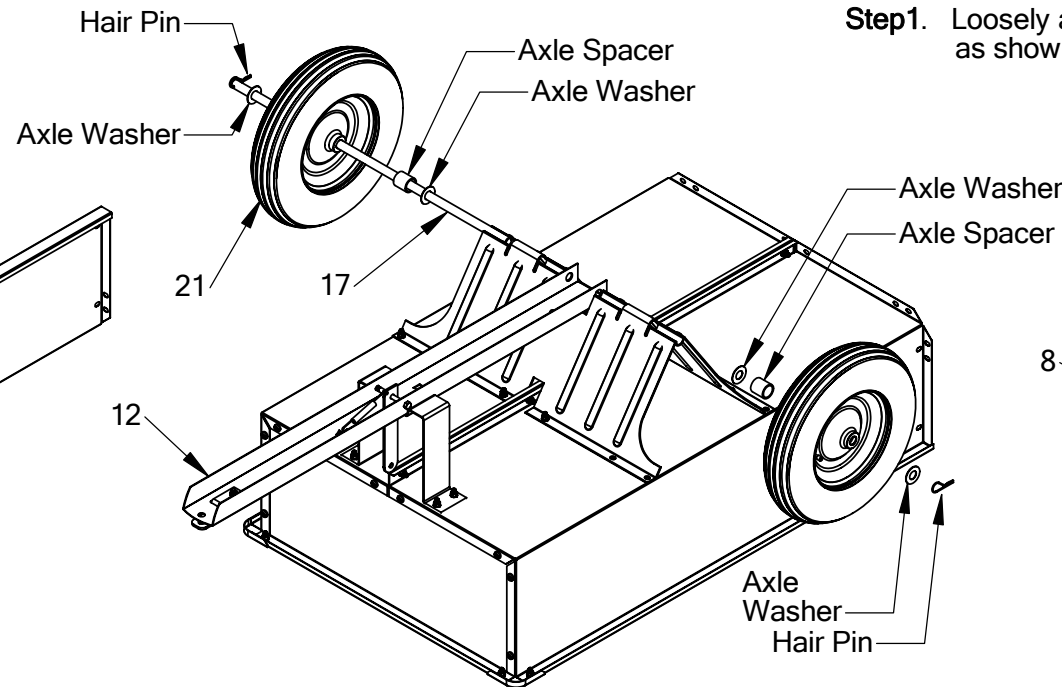


**Step1.** Loosely assemble body halves as shown.

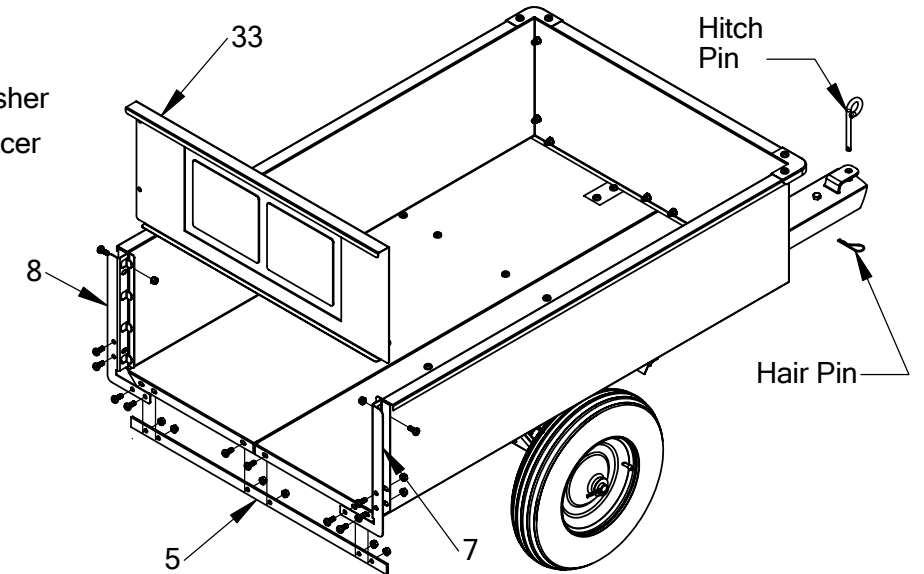
**Step2.** Loosely attach front support and axle holder.



**Step3.** Loosely attach front gate and corners. Square assembly and tighten all bolts.



**Step 4.** Center axle through axle holder & drawbar. Place washer, spacer, wheel, washer onto axle. Lock in place with hair pin cotter.



**Step 5.** Attach rear support bar and gate retainers. Insert tail gate and tighten bolts. Insert hitch pin and secure with hair pin cotter.