

## 4T Lawn Roller

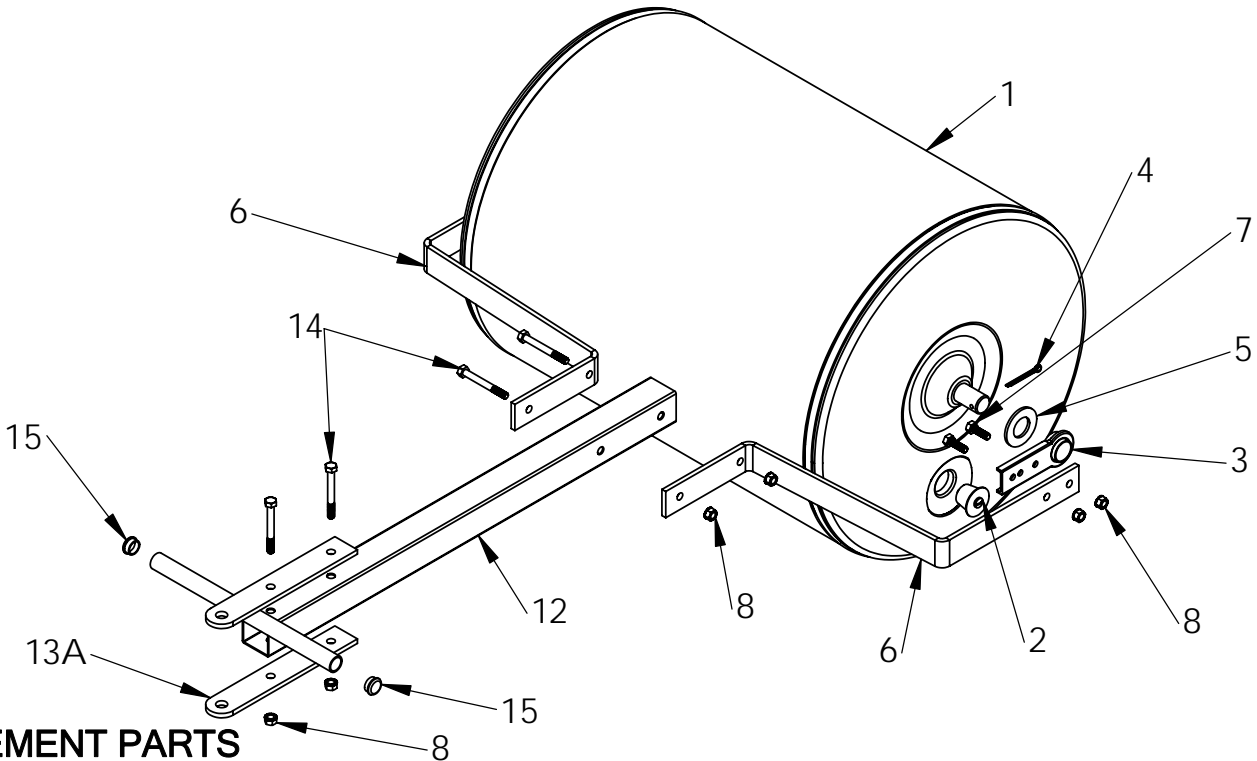
For missing parts or questions  
Call 1-800-652-2321

### OPERATION

Though most rollers are filled with water, we recommend adding Ethylene Glycol Anti-Freeze with the water. This will protect the tank from damage during cold weather. It is also recommended that the anti-freeze used, contain a rust inhibitor to protect the inside of the tank against rust. If the roller is filled with water only, it must be drained whenever the temperature drops below 32 degrees F. (0 degrees C.). The roller weighs approximately 250 pounds when filled.

### ASSEMBLY INSTRUCTIONS

1. Attach hub (3) to each of the side bars (6) with two 5/16" bolts (7) and 5/16" nuts (8).
2. Slide these assemblies over the axle, add flat washer (5) and lock in place by inserting and spreading ends of the cotter pins (4).
3. Add hitch tube (12) to side bars using 5/16" bolts (14) and 5/16" nuts (8).
4. Add clevis bars (13) to hitch tube with 5/16" bolts (14) and 5/16" nuts (8).



### REPLACEMENT PARTS

PART NO.	REF. NO.	AMT.	DESCRIPTION	PART NO.	REF. NO.	AMT.	DESCRIPTION
4T-01A	1	1	DRUM ASSEMBLY	9W-08A	8	8	NUT 5/16"-18 KEPS
48T-02A	2	1	PLUG	4T-12A	12	1	HITCH TUBE
9W-03	3	2	SLLEEVE BUSHING	48T-13	13	1	CLEVIS BAR
48T-04	4	2	COTTER PIN	4T-13A	13A	1	CLEVIS BAR & HANDLE ASSEMBLY
48T-05	5	2	1" AXLE WASHER	9W-14	14	4	HEX BOLT 5/16"-18 X 2 3/4"
4T-06A	6	2	SIDE BAR	4T-15	15	2	BLACK ROUND POLY CAP
9W-07	7	4	HEX BOLT 5/16"-18 X 1"				

### FULL ONE-YEAR WARRANTY

If this product fails due to a defect in material or workmanship within one year from the date of purchase, Ohio Steel will at its option repair or replace it free of charge. ***Proof of purchase required.***

This warranty does not cover:

- Repairs necessary because of operator abuse or negligence.
- Equipment use for commercial or rental purposes.

Contact Ohio Steel to arrange for product repair, or return this product to place of purchase for replacement.

This warranty gives you specific legal rights, and you may also have other rights which vary from state to state. This Warranty applies only while this product is in use in the United States.

When ordering replacement parts, Please include part numbers and description.